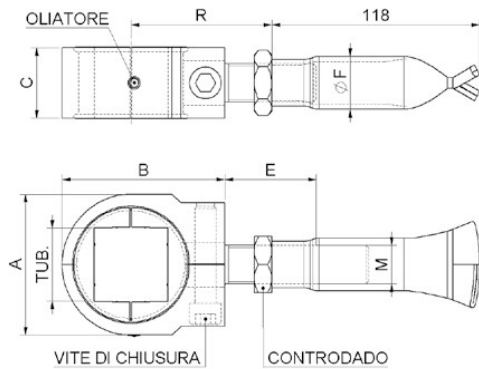


art. 847

SISTEMA BREVETTATO - PATENT PENDING

Cardine Matrix con tubolare a murare e controdatato
 Self-assembly clamp - hinge for building into wall "Matrix"
 петля «matrix», регулируемая, для вмуровывания в стену

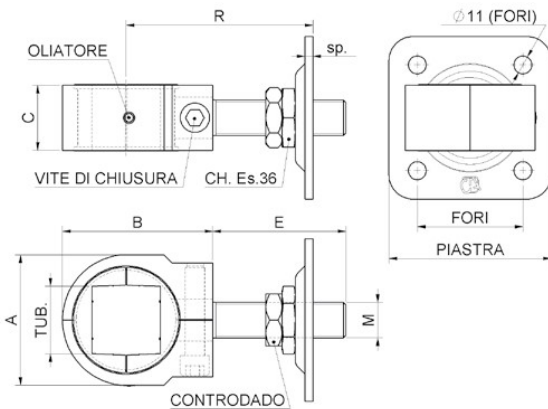


| cod. | mm. | pz/pcs | A | B | C | E | ØF | M | R | vite |
|--------|---------|--------|----|------|----|----|-----|-----|--------|------|
| 847.30 | TUB. 30 | 4 | 60 | 77,5 | 35 | 82 | Ø30 | M22 | 57-105 | M12 |
| 847.35 | TUB. 35 | 4 | 70 | 84,5 | 35 | 82 | Ø30 | M22 | 60-108 | M12 |
| 847.40 | TUB. 40 | 4 | 80 | 92,5 | 40 | 82 | Ø30 | M22 | 65-113 | M12 |
| 847.50 | TUB. 50 | 4 | 90 | 108 | 45 | 52 | Ø34 | M24 | 75-91 | M14 |

art. 848

SISTEMA BREVETTATO - PATENT PENDING

Cardine Matrix con piastra e controdatato
 Adjustable self-assembly clamp - hinge with plate "Matrix"
 петля «Matrix», регулируемая, с пластиной

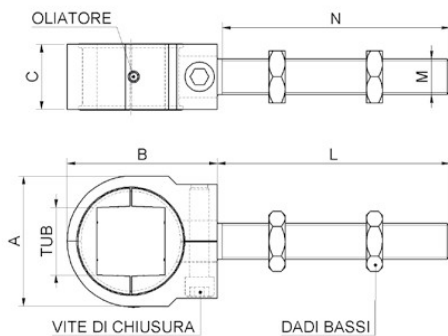


| cod. | mm. | pz/pcs | A | B | C | E | M | sp | R | vite | piastra | fori |
|--------|---------|--------|----|------|----|----|-----|----|--------|------|---------|-------|
| 848.30 | TUB. 30 | 4 | 60 | 77,5 | 35 | 82 | M22 | 5 | 77-127 | M12 | 100x100 | 65x65 |
| 848.35 | TUB. 35 | 4 | 70 | 84,5 | 35 | 82 | M22 | 5 | 80-130 | M12 | 100x100 | 65x65 |
| 848.40 | TUB. 40 | 4 | 80 | 92,5 | 40 | 82 | M22 | 5 | 85-135 | M12 | 100x100 | 65x65 |
| 848.50 | TUB. 50 | 4 | 90 | 108 | 45 | 52 | M24 | 6 | 96-115 | M14 | 120x120 | 90x90 |

art. 849

SISTEMA BREVETTATO - PATENT PENDING

Cardine Matrix con barra lunga e controdatato
 Self-assembly long clamp - hinge with 2 nuts "Matrix"
 петля «Matrix», регулируемая, длинная



| cod. | mm. | pz/pcs | A | B | C | L | M | N | vite |
|--------|---------|--------|----|------|----|-------|-----|-----|------|
| 849.30 | TUB. 30 | 4 | 60 | 77,5 | 35 | 142,5 | M22 | 140 | M12 |
| 849.35 | TUB. 35 | 4 | 70 | 84,5 | 35 | 142,5 | M22 | 140 | M12 |
| 849.40 | TUB. 40 | 4 | 80 | 92,5 | 40 | 142,5 | M22 | 140 | M12 |
| 849.50 | TUB. 50 | 4 | 90 | 108 | 45 | 164,5 | M24 | 162 | M14 |