



235 1/2" XL

Chiavi a bussola lunghe con bocca esagonale speciale X-Grip



DATI TECNICI

- Bocca esagonale speciale X-Grip: presa perfetta su esagoni nuovi e danneggiati
- Può svitare dadi e viti danneggiati fino all'80%, sviluppando il 66% di coppia in più rispetto ad una tradizionale 235 EN
- Acciaio al Cromo Vanadio con finitura lucida

NORMATIVE

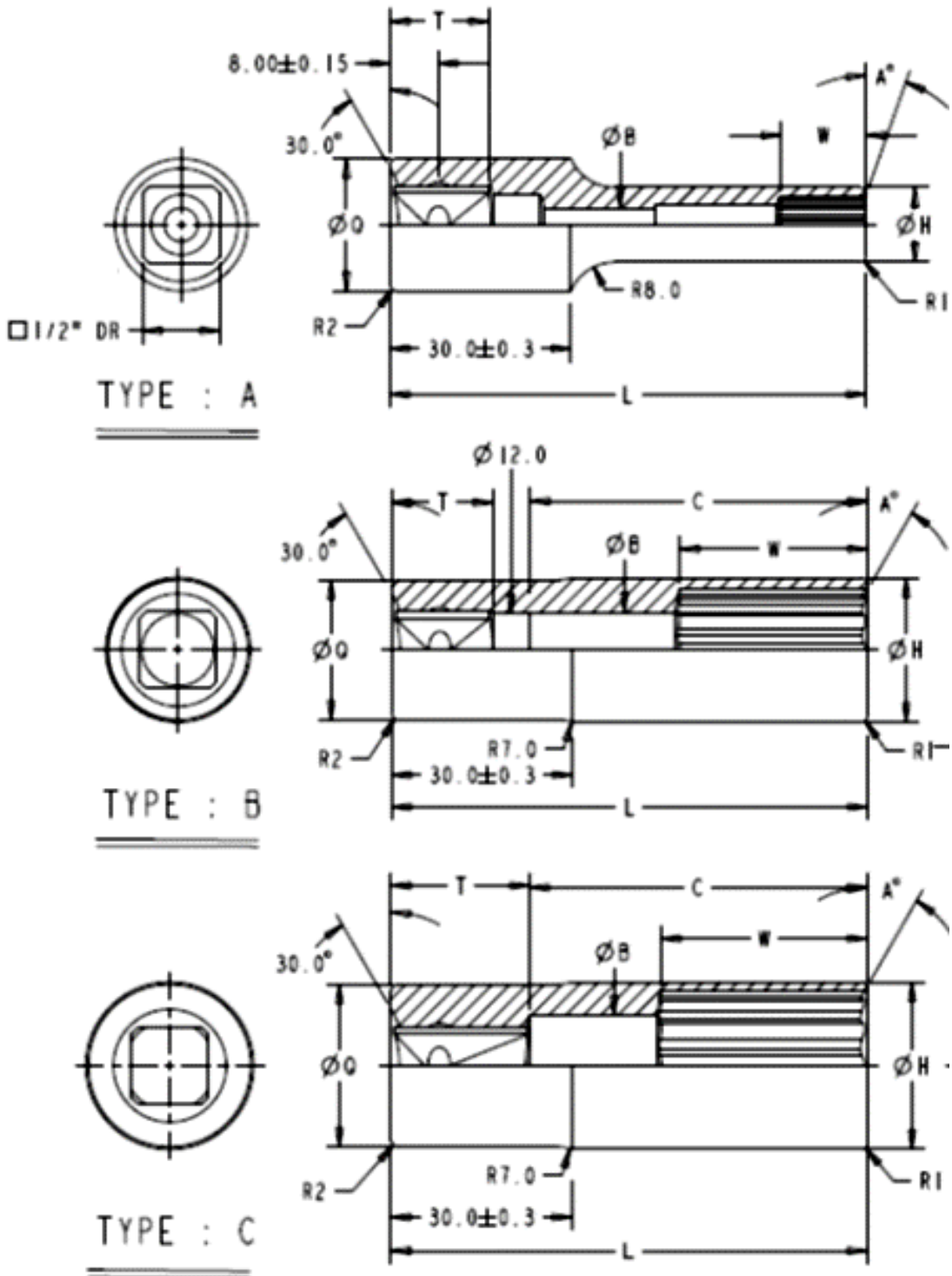
- ISO 2725-1



235 1/2" XL

Chiavi a bussola lunghe con bocca esagonale speciale X-Grip

DISEGNO





235 1/2" XL

Chiavi a bussola lunghe con bocca esagonale speciale X-Grip

TABELLA DISEGNO

Type	Codice	G misura	L	Q	H	W	B	C	T	A	R1	R2	Durezza HRC
A	U02354109	10	79	22,0	15,5	17,0	6,6	/	16,0	20,0	1,0	1,0	39÷48
A	U02354120	11	79	22,0	16,7	18,0	7,7	/	16,0	25,0	1,0	1,0	
A	U02354123	12	79	22,0	18,0	19,0	8,4	/	16,0	25,0	1,0	1,0	
A	U02354125	13	79	22,0	19,2	21,0	10,5	/	16,0	25,0	1,0	1,0	
A	U02354126	14	79	22,0	20,5	25,0	10,5	/	16,0	25,0	1,0	1,0	
A	U02354129	15	79	22,0	21,0	28,0	12,6	/	16,0	25,0	1,0	1,0	
A	U02354128	16	79	23,3	22,5	31,0	12,6	/	16,0	25,0	1,0	1,0	
B	U02354133	17	79	23,3	24,0	34,0	12,6	56,0	16,0	30,0	1,0	1,0	
B	U02354134	19	79	25,0	26,5	34,0	14,7	56,0	16,0	30,0	1,0	1,2	
C	U02354135	21	79	27,0	27,8	34,0	16,8	56,0	16,0	30,0	1,0	1,2	
C	U02354136	22	79	28,0	29,8	34,0	16,8	56,0	16,0	30,0	1,0	1,2	



235 1/2" XL

Chiavi a bussola lunghe con bocca esagonale speciale X-Grip

MATERIALI

Acciaio: 50BV30

Cromatura: Cromata lucida

CONFEZIONAMENTO

- Busta di plastica (1pz)

Stanley Black & Decker Italia Srl
Via Volta, 3 - 21020 Monvalle (VA)
Tel. +39 0332 790111 - Fax +39 0332 790330
info.mv@usag.it

USAG.IT
USAG-TOOLS.NET

UK Importer - USAG UK, 270 Bath Rd, Slough SL1 4DX, England